

## SECTION 21

# BODY ELECTRICAL EQUIPMENT

## CONTENTS

21-1. COMBINATION METER .....	21-1
21-2. WIRING HARNESS ROUTING .....	21-2
21-3. WIRING DIAGRAM .....	21-3

### NOTICE:

For any items and information not described in this section, refer to SECTION 21 "BODY ELECTRICAL EQUIPMENT" of SJ413 SERVICE MANUAL.

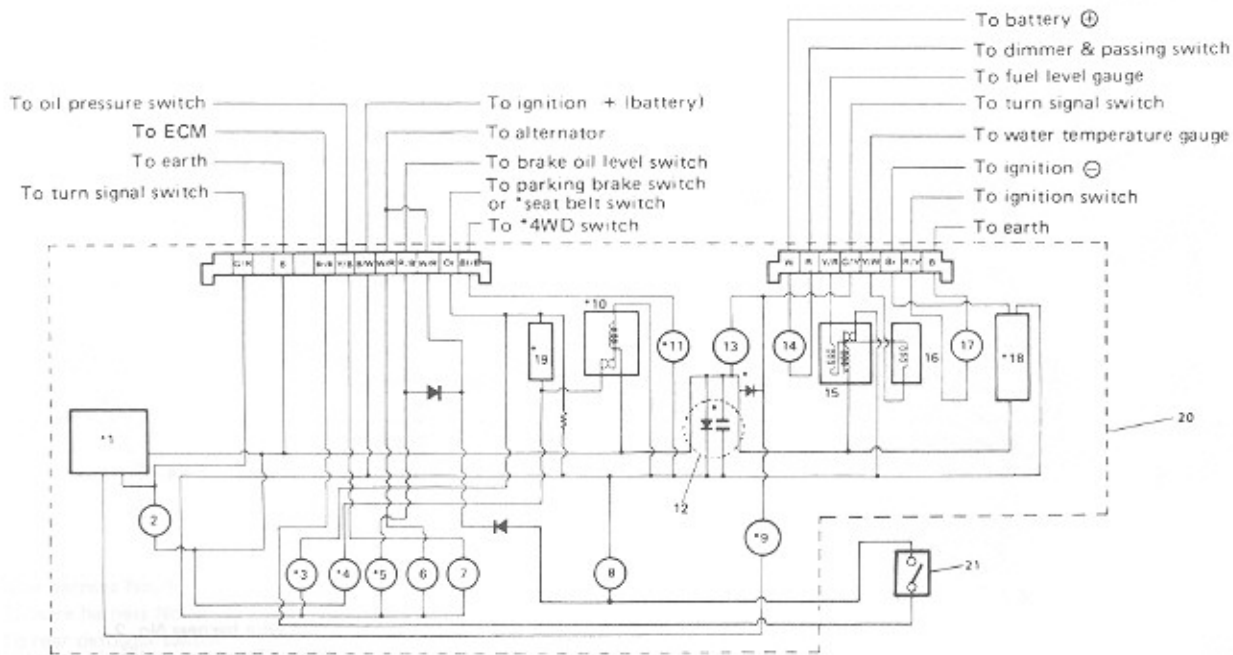
## 21-1. COMBINATION METER

### COMBINATION METER CIRCUIT AND COMPONENTS

### NOTE:

Whether equipped with \* marked parts or not depends on vehicle specifications.

21



#### Wire color

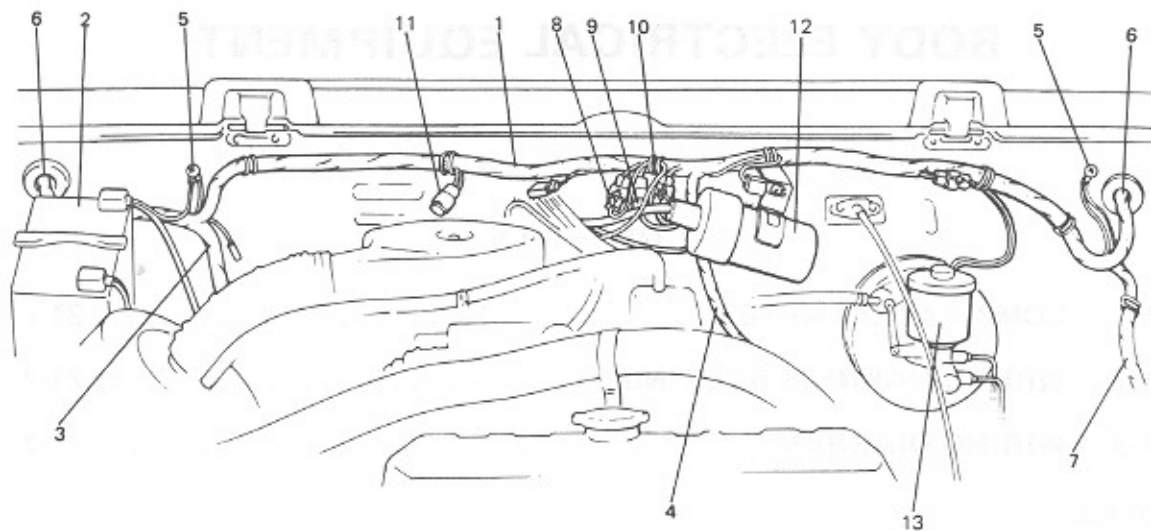
G/R . . . . . Green/Red	Or . . . . . Orange
B . . . . . Black	Bl/B . . . . . Blue/Black
Br/B . . . . . Brown/Black	W . . . . . White
Y/B . . . . . Yellow/Black	Y/R . . . . . Yellow/Red
B/W . . . . . Black/White	G/Y . . . . . Green/Yellow
W/R . . . . . White/Red	Y/W . . . . . Yellow/White
R/B . . . . . Red/Black	R/Y . . . . . Red/Yellow
	R/G . . . . . Red/Green

- |                                  |                                 |
|----------------------------------|---------------------------------|
| 1. Hazard relay                  | 11. 4WD light                   |
| 2. Turn signal pilot light (L)   | 12. Noise suppressor            |
| 3. Parking brake light           | 13. Turn signal pilot light (R) |
| 4. Seat belt warning light       | 14. Beam pilot light            |
| 5. Brake oil level warning light | 15. Fuel level meter            |
| 6. Charge light                  | 16. Temp. meter                 |
| 7. Engine oil pressure light     | 17. Illumination light          |
| 8. "CHECK ENGINE" light          | 18. Tachometer                  |
| 9. Hazard pilot light            | 19. Seat belt warning buzzer    |
| 10. Seat belt relay              | 20. Combination meter           |
|                                  | 21. Engine check switch         |

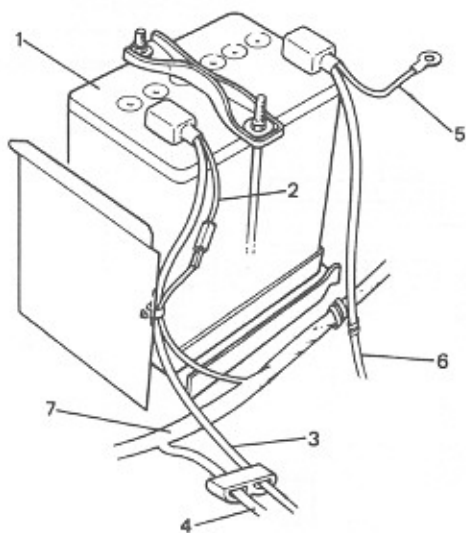
Fig. 21-1

## 21-2. WIRING HARNESS ROUTING

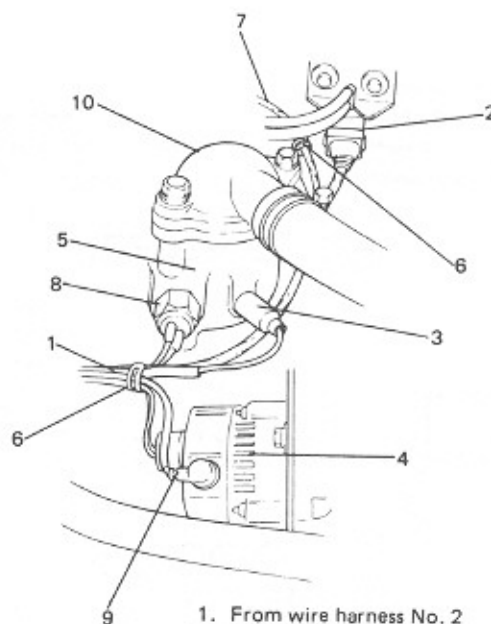
### Engine Room Wiring



- |   |   |
|---|---|
| <ol style="list-style-type: none"> <li>1. Wire harness No. 2</li> <li>2. Battery</li> <li>3. To starter, alternator, head light, small light, horn and etc.</li> <li>4. To license light, stop/tail light, 4WD switch</li> <li>5. Earth</li> <li>6. To wiring harness No. 1</li> <li>7. To head light, small light, etc.</li> </ol> | <ol style="list-style-type: none"> <li>8. To distributor</li> <li>9. To ignition coil</li> <li>10. To back up light switch</li> <li>11. Duty check coupler</li> <li>12. Ignition coil</li> <li>13. Brake fluid reservoir</li> </ol> |
|---|---|

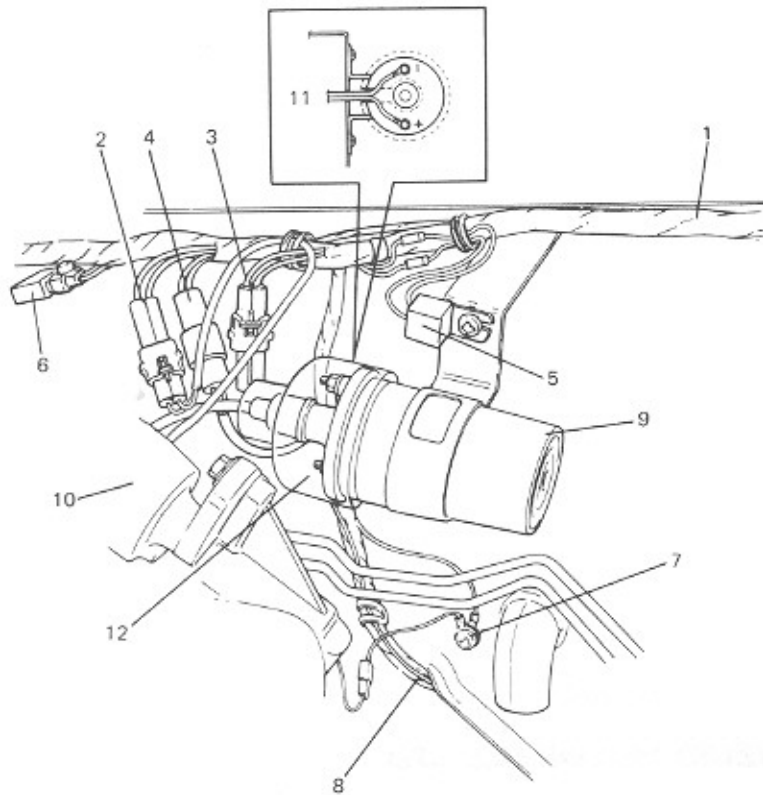


1. Battery
2. Fusible link
3. To starter
4. To starter, alternator, etc
5. Earth
6. Earth (To starter mounting bolt)
7. Wiring harness No. 2



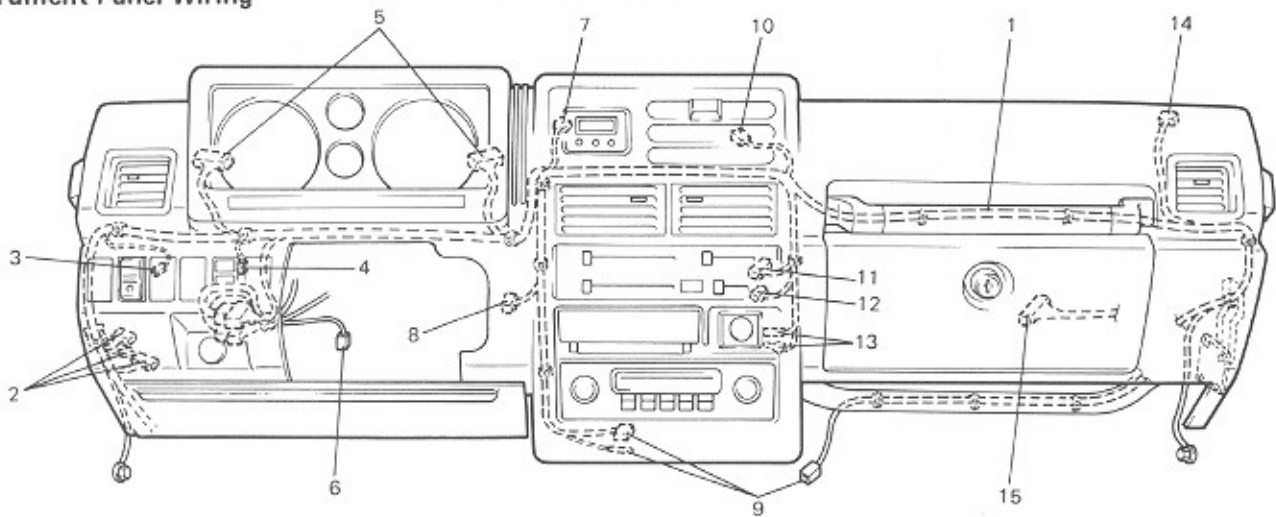
1. From wire harness No. 2
2. TWSV (Three way solenoid valve)
3. Water temperature gauge
4. Alternator
5. Intake manifold
6. Clamp
7. To VSV
8. Thermal switch
9. Mount this terminal horizontally as shown
10. Thermostat cap

Fig. 21-2



1. Wire harness No. 2
2. To distributor
3. To back up light switch
4. To ignition coil
5. Condenser
6. Noise suppressor filter  
(Clamp it toward engine room so as to prevent it from contacting dash panel edge.)
7. Earth
8. To license light, stop/tail light, 4WD switch
9. Ignition coil
10. Distributor
11. To wire harness No. 2
12. Ignition coil cap

### Instrument Panel Wiring



- |                             |                           |                            |
|-----------------------------|---------------------------|----------------------------|
| 1. Wire harness No. 1       | 6. To stop light switch   | 11. To heater fan switch   |
| 2. To wire harness No. 2    | 7. To clock               | 12. To illumination switch |
| 3. To rear defogger switch  | 8. To heater blower motor | 13. To cigarette lighter   |
| 4. To rear fog light switch | 9. To radio               | 14. To wiper motor         |
| 5. To combination meter     | 10. To optional meter     | 15. To ECM                 |

Fig. 21-3

### 21-3. WIRING DIAGRAM

Wiring diagrams are attached at the end of this manual.